



## FD4300 submersible LED landscaping lighting

The aesthetic FD4300 is designed for enhancing the vigorous landscaping of indoor and outdoor pond. It has been widely recommended by lighting designers for replacement of halogen spike light. It is not only substantially reducing the power consumption, but also maintain almost zero cost of maintenance within the first five



### General Characteristic

Housing structure	The housing is made of die-cast aluminum fitted with stainless steel trim fastened by hexagon screws and nylon gasket. Surface of housing is finished with electrostatic plastic paint thus resistance to corrosion.
Size of housing	Ø150 x 90mm / 84mm footing
Casting angle	180 degrees
Reflector	Multifaceted type
Diffuser	3mm clear tempered glass
Rated life span	30000 hours (accumulative)
Ingress protection	IP67 compliant
Industrial standard	IEC 62384 / LM-80
Certification	CE, RoHS, FCC

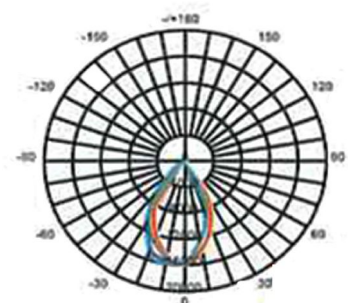
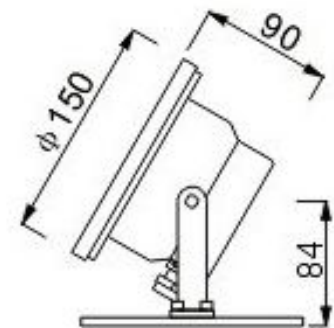
### Light Characteristic

Light source	LUSTROUS L510 COB
Color rendering index	CRI ≥85 Ra
Color temperature	3200K (K3); 4200K (K4); 6500K (K5)
Luminous efficacy	930 lumen (warm white) 1050 lumen (neutral white) 1250 lumen (cold white)
Luminous efficacy	90 lumen per watt (cold white)
Color rendering index	CRI = 85 Ra
Beam angle	45 degrees
RF interference	Free



### Electrical Characteristic

Input power	100~240VAC, 50/60Hz
Constant current	350mA
Output voltage	21~32Vdc
Power	Model FD4315-510W12: 12W Model FD4315-520W15: 15W
LED driver (IP65)	LD-CU3536-05 (12W, 0.35A) LD-018H-CU3554-15 (15W, 0.35A)
Power factor	≥0.95
Ripple & noise (max)	3Vp-p
Line regulation	±3%
Load regulation	±5%
Operation	-20°C ~+40°C full load
Storage temperature	-20°C ~+80°C / 10% ~95% Rh
Operation humidity	20% ~95% Rh non-condensing
Vibration frequency	5 ~50 Hz
Safety standard	TUV/CE-EN61347/EN55015



Spectral Distribution

