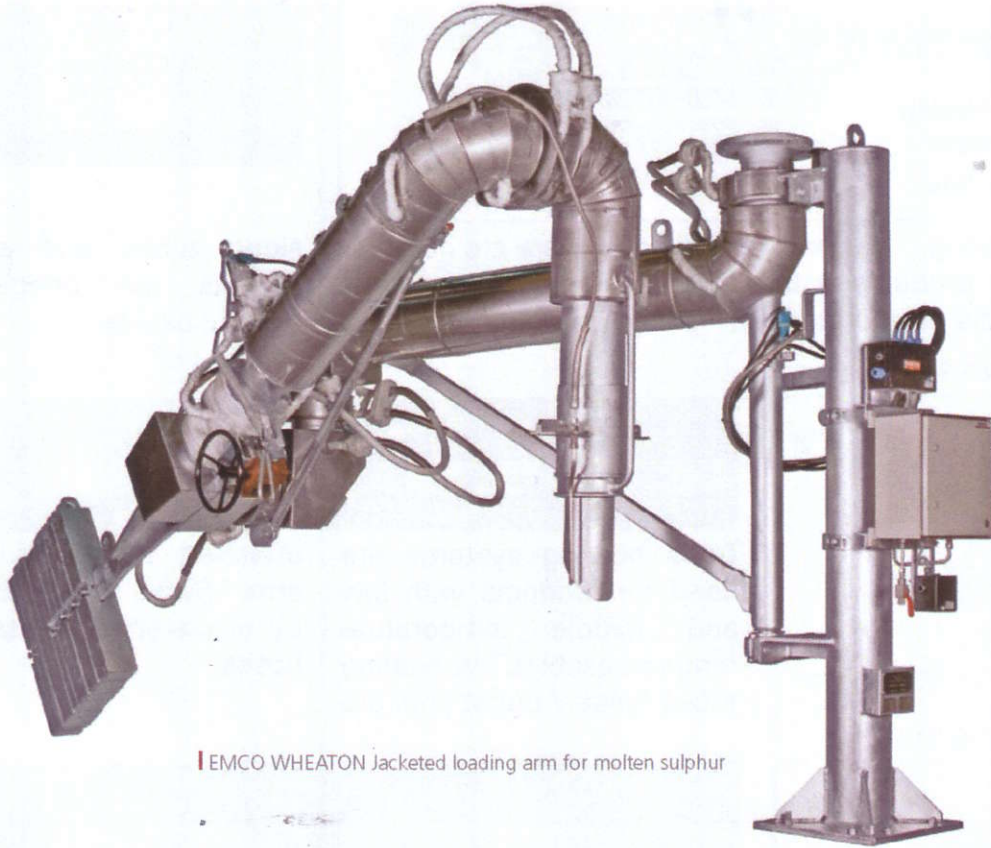


HEATING SYSTEMS



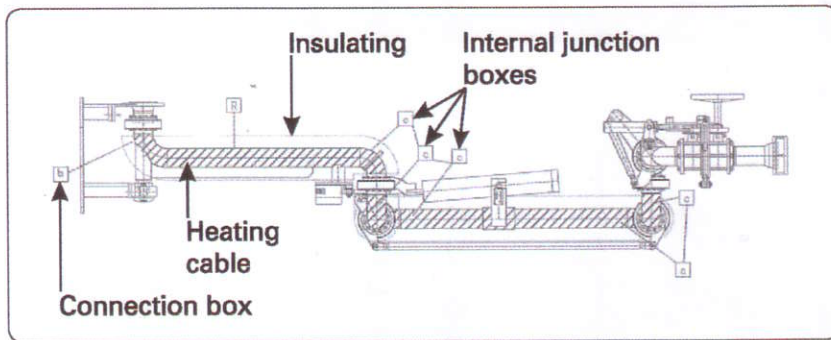
EMCO WHEATON Jacketed loading arm for molten sulphur

FEATURES

- * reliable
- * easy handling
- * environmentally friendly
- * solid and robust design
- * professional installation by qualified staff
- * swivels bridged by high quality hoses
- * design in accordance with customer's requirements

HEATING SYSTEMS

HEATING SYSTEMS



ELECTRIC HEATING SYSTEM

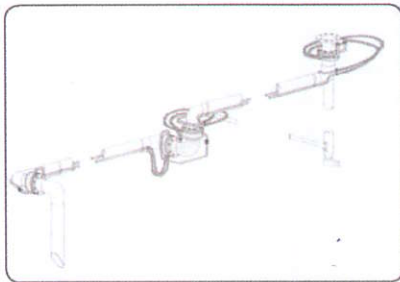
Product temperature	Temperature limited by	Ex proof execution
max. 120 °C	self-limiting cable	possible
max. 250 °C	resistance heating cable	

Electric heating systems are used for products with low and middle temperature

range or if there are no other heating media available. Heating cable is attached

along tubes and elbows. Swivels are bridged by electric cables.

TRACE HEATING SYSTEMS

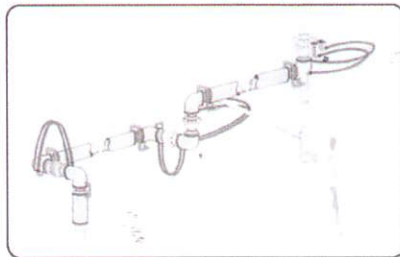


Size	Working pressure	Seals	Product temperature max.	Connection flanges
1/2"	max. 20 bar	Viton, PTFE	100 °C	1/2"

Trace heating systems are used for products with low and middle temperature range (see table). Two heating tubes (inlet- / outlet line) are

attached along the loading arm. Swivels are bridged by insulated stainless steel hoses.

JACKET HEATING SYSTEMS



Size	Working pressure	Seals	Product temperature max.	Connection flanges
1/2" (approx. 10 mm ring slot)	max. 20 bar	PTFE PTFE-compound	100 °C 250 °C	1/2"

Jacket heating systems are required for handling of products with high temperatures (see table). Tubes and elbows are jacketed. Return line is

attached along the loading arm. Swivels are bridged by insulated stainless steel hoses. Jacketing of swivel joints is possible.

TO ENABLE US TO DESIGN HEATING SYSTEMS, PLEASE SUBMIT THE FOLLOWING DETAILS:

ELECTRIC HEATING SYSTEM

- * Dimensions of heated components
- * Type / thickness of insulating
- * Product data
- * Preheating time / hold temperature

- * Min. ambient temperature
- * Voltage / current
- * Temperature class T1 / T3
- * Explosion risk area

TRACE AND JACKET HEATING SYSTEMS

- * Heating medium
- * Product temperature
- * Heating inlet- / return line side connections
- * Special heating systems are available on request.

Better by Design



EMCOWHEATON

A Gardner Denver Product

EMCO WHEATON GmbH
Emcostraße 2-4 · 35274 Kirchhain · Germany
Phone +49 6422 84-0 · Fax +49 6422 5100
www.emcowheaton.com · assist@emcowheaton.com