

# Installation Guide (For AVA-351A- RX RF Receiver and AVA-320-RF Remote)

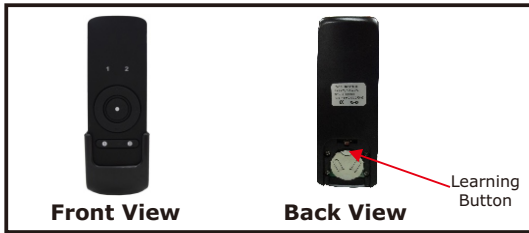
**Important Notes:**

All products are thoroughly inspected and fully tested operational in factory.  
 We accept no liability whatsoever for any losses due to improper operation, or any unauthorized alternation.  
 All trademarks contained in this installation guide are the property of their respective owners.

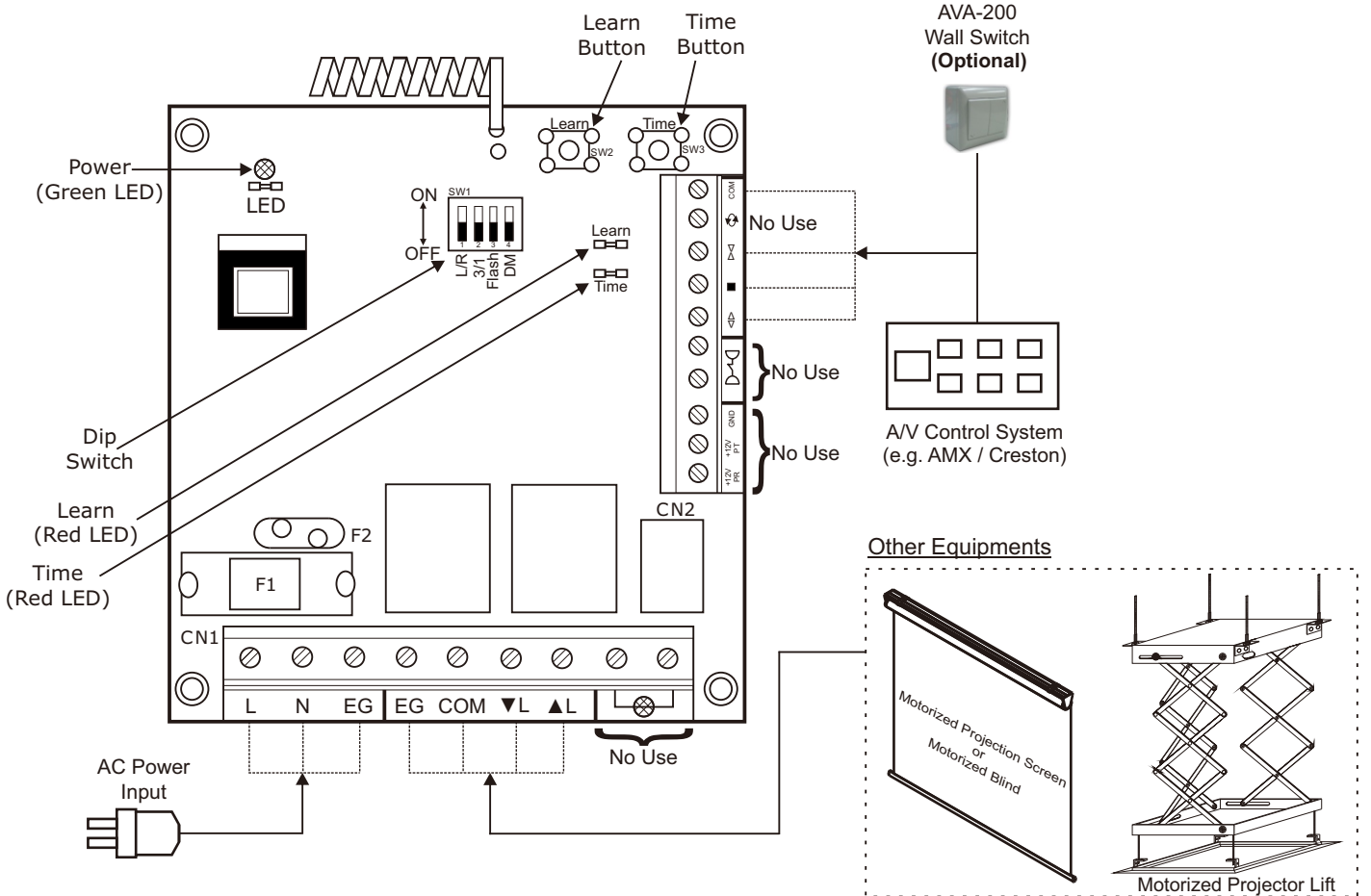
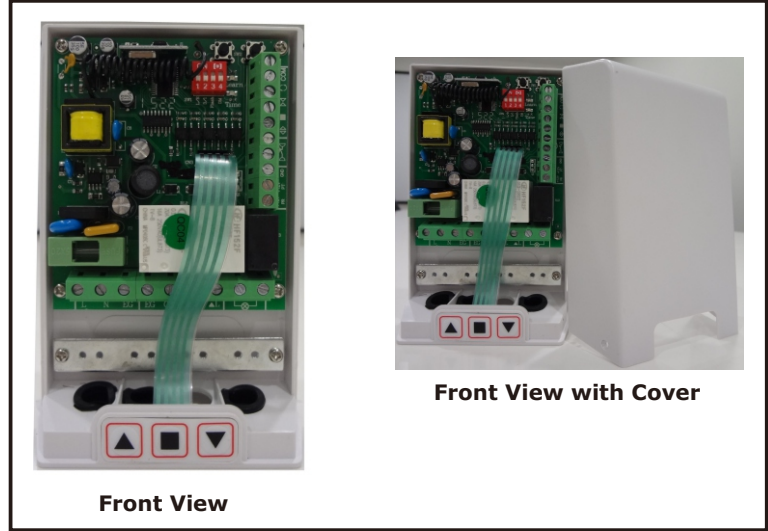
**Specifications**

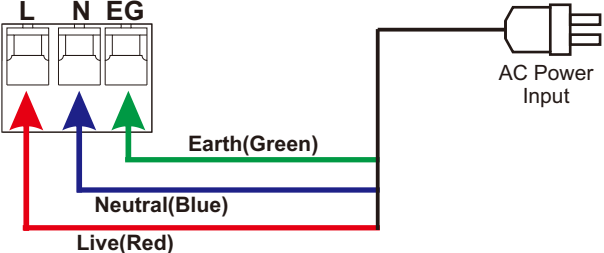
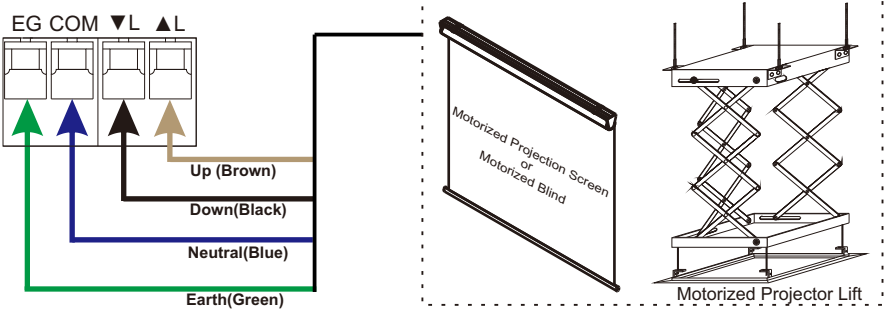
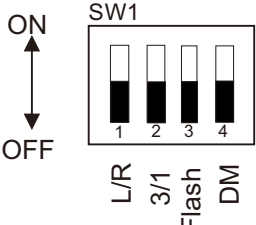
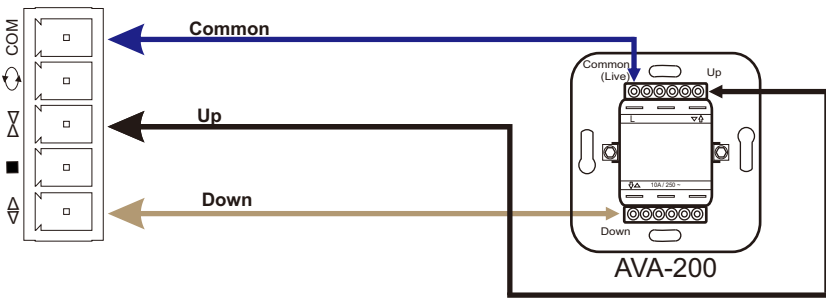
Voltage AC (Volts)	85 to 240Vac 50Hz/60Hz
Fuse	250V 10Amperes
Power	1470 Watts
Frequency (MHZ)	433.92
Radio Frequency Sensitivity Range	40 metres
Temperature (Celsius)	-20°C to +60°C

**AVA-320 RF Remote**



**AVA-351A RF Receiver**



Title / Connector	Application
Power	Connect to a 230V power supply. 
Controlled Equipments	Connect to motorized screen or projector lift as shown. 
Dip Switch	All dip switch set to "off" position. 
Contact Closure (Momentary)	Connect contact closure (momentary) as shown. 
Pairing of Receiver & RF remote	<b>Programming (Pairing) of Receiver &amp; RF Remote:</b> <ul style="list-style-type: none"> <li>- Press the Learn button on the receiver, LED turns red. It indicates learning mode activated and waiting for remote signal.</li> <li>- While Red LED is turn on, press RF remote Learn button twice, Red LED blinks for several times</li> <li>- Red LED turns off indicate pairing is successfully.</li> </ul>
Delete Receiver Memory	<b>Delete Receiver Memory:</b> <ul style="list-style-type: none"> <li>- Press and hold the Learn button on the receiver for 8seconds until Red LED blink one time, follow by another blink.</li> <li>- Release button and Red LED turn off fully.</li> <li>- It indicates all memory has been deleted successfully.</li> </ul>
Setting Motor Movement Time	<b>Setting Motor Movement Time on AVA-351A:</b> <ul style="list-style-type: none"> <li>- Motor movement time can be adjustable from 5 to 210seconds.</li> <li>- Press and hold Time button and Learn (Red LED) blink one time indicate ready to programme movement time.</li> <li>- Press &amp; hold Time button until required time is needed and then release the button (As indication you are still in setting time mode, Learn (Red LED) will continue blinking until button is released.)</li> </ul> Remarks: Default time is 210seconds.