

Installation Guide (MIC-807)

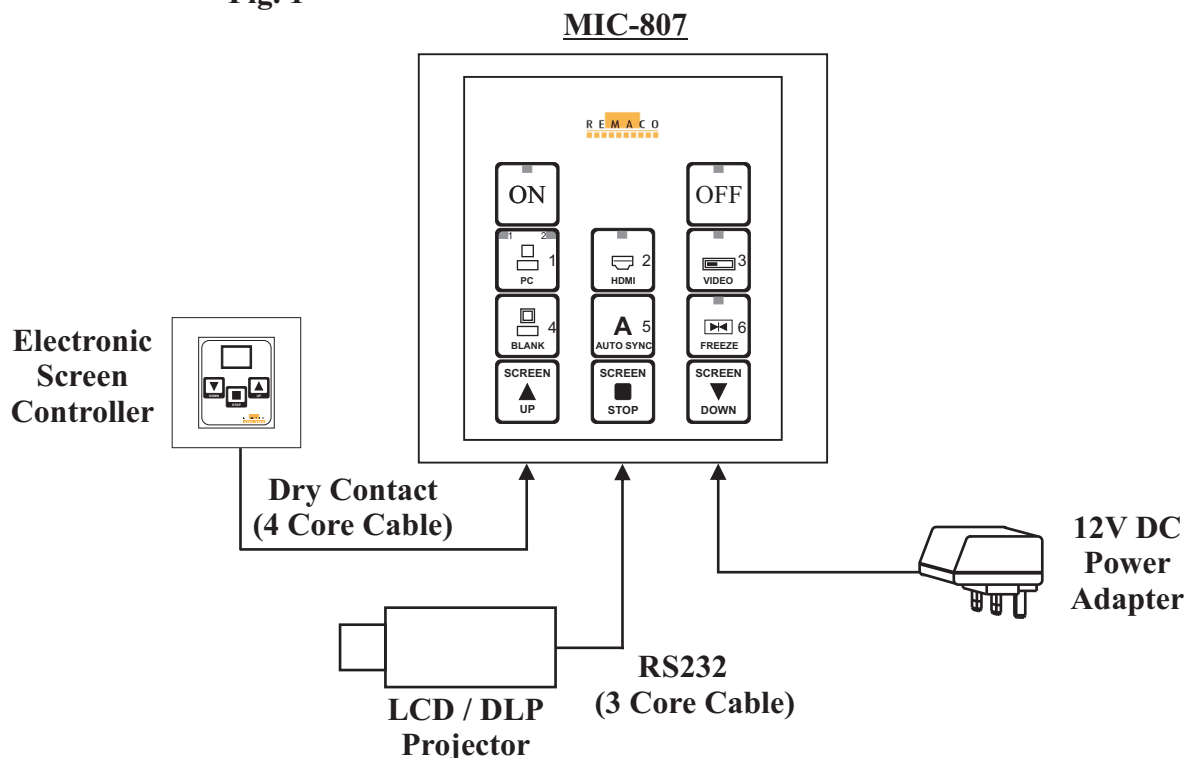
Important Notes:

All products are thoroughly inspected and fully tested operational in factory. We accept no liability whatsoever for any losses due to improper operation, or any unauthorized alternation. All trademarks contained in this installation guide are the property of their respective owners.

Concept

The MIC-807, Media Interface Controller, is an electronic controller that can be used to control a projector as well as to trigger an electronically controlled screen. By connecting the projector and the screen controller to the MIC, it eliminates the hassle of the use of remote controllers, ideal for a simple classroom or office setup.

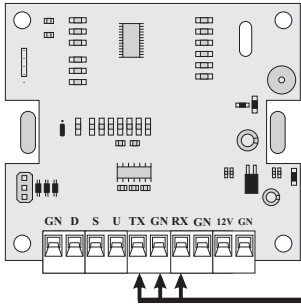
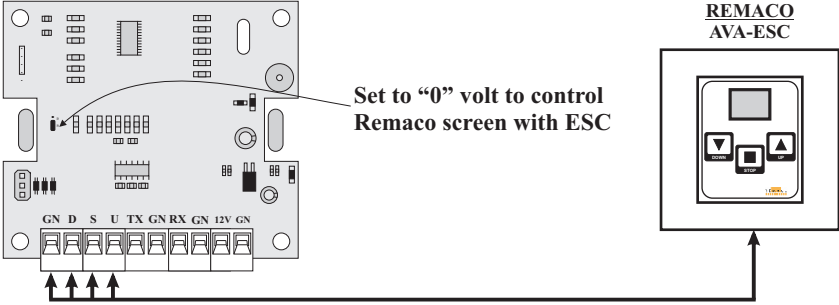
Fig. 1



Application

The MIC-807 is powered by a 12V DC adapter. It has a RS232 port for connection to a projector and a dry contact trigger port for triggering an electronically controlled screen.

Item	Application
Power	<p>For connection to a 230V power source</p> <p>Fig. 2</p> <p>Inner Board</p>

Item	Application
RS232	RS232 port for connection to projectors. Fig. 3 
Screen Control	Control output for connection to a electronic screen controller. Fig. 4 

Programming MIC-807 To Control Projector

- 1) Press and hold both "Blank" and "Auto Sync" together for 2 seconds to enter into programming mode. PC's LED button light up indicate program mode.
- 2) Enter password **3215**, PC button LED light go off and in term "HDMI" and "Video" both LED will light up.
- 3) If not successful, a long beep sound will be heard. Re-do above steps again.
- 5) Key in projector assigned code as listed (Example 47 for Panasonic projector)
- 6) If no button is pressed for 30sec, then the programming mode will be deactivated

** Legend for Buttons: "Screen Up" = 7 , "Screen Stop" = 8

To Program Other Settings

- 1) Press and hold both "Blank" and "Auto Sync" together for 2 seconds to enter into programming mode
- 2) Enter password **1216**, PC button LED light go off and in term "HDMI" and "Video" both LED will light up.
 - * to reset as factory default, enter digits " 1 1 " (default input selected is "PC 1")
 - * to set device as master controller, enter digits " 1 6 " (must configure with same projector)
 - * to set device as slave controller, enter digits " 1 7 " (must configure with same projector)

To manually program other projector code not listed through RS232

- 1) Connect computer to MIC-807 using RS232 Cable.
- 2) Open the MIC program, select "COM" port then click "Open Port".
- 3) Select any "Projector Number" from "8 1" to "8 8" and set the right "Projector Baud Rate" given by projector manufacturer manual.
- 4) Press and hold both "Blank" and "Auto Sync" together for 2 seconds to enter into programming mode.
- 5) Enter password **1214**, PC button LED light go off and in term "HDMI" and "Video" both LED will light up.
- 6) From MIC program, click "Write" icon to transfer the code to the MIC-807 device. User may click "Read" to view previously set control code as well.

Remarks:

To switch off projector, user has to press and hold "Off" button on MIC-807 panel for 3 seconds.

Projector Assigned Code Listing

<u>Projector Brand</u>	<u>Projector Model</u>	<u>Baudrate</u>	<u>Assigned Code</u>
3M	X SERIES	19200	1 1
3M	DX SERIES	9600	1 2
ACER	PH730, PD726, P7500, X1120H, X1220H, X1320H	9600	1 3
ACER	OLD MODEL w/o OKOKOKOKOK	9600	1 4
BENQ	721 SERIES	115200	1 5
BENQ	PB7210, PB7220	19200	1 6
BENQ	MP / MX SERIES	115200	1 7
CANON	SX6 SERIES	19200	1 8
CANON	LV-7390, 8225	19200	4 6
CANON	LV-7375, 8300, 8310, 8215	19200	3 6
CASIO	XJ-H / XJ-M / XJ-ST / PJ SERIES	19200	2 1
DELL	MP 5100	19200	2 2
EPSON	ALL MODEL	9600	2 3
EIKI	ALL MODEL LCD	19200	4 6
EIKI	ALL MODEL DLP	9600	4 7
GEHA	COMPACT 218	9600	2 4
GEHA	COMPACT 228 WITH (2 STOP BIT)	9600	2 5
HITACHI	ALL MODEL	19200	1 1
INFOCUS	IN11x / IN12x / IN12xST / IN212x / IN3926 SERIES	9600	2 6
INFOCUS	IN 554X	19200	1 1
INFOCUS	IN513x SERIES	19200	2 7
INFOCUS	IN512x / IN513x / IN514x SERIES	19200	2 8
INFOCUS	IN510x SERIES	19200	3 1
INFOCUS	IN SP8602 SERIES	115200	3 2
INFOCUS	IN210x / IN310x / IN318x SERIES	115200	3 3
INFOCUS	IN102 / IN104 SERIES	115200	1 7
INFOCUS	IN 211x / IN311x / IN553x SERIES	115200	3 4
INFOCUS	IN3118HD / SP8600 / SP8604	9600	3 5
INFOCUS	IN3916	115200	3 6
mitsubishi	ALL MODEL	9600	3 7
NEC	ALL MODEL	19200	3 8
NEC	ALL MODEL	38400	4 1
OPTOMA	865 / EW556 / EH2060	9600	4 2
OPTOMA	EP738	9600	1 3
OPTOMA	EP757	9600	1 4
OPTOMA	TW8xx / TX7xx / DX / DS	9600	4 3
OPTOMA	TX 783 WIRELESS	9600	4 4
OPTOMA	EP771	9600	4 5
OPTOMA	EP727 WITH (2 STOP BIT)	9600	4 6
PANASONIC	ALL MODEL	9600	4 7
PANASONIC	ALL MODEL	19200	4 8
PHILIPS	ALL MODEL	9600	5 2
SANYO	ALL MODEL	19200	5 1
SHARP	ALL MODEL	9600	5 2
SONY	EX3 SERIES (non-parity)	38400	5 3
SONY	CX-FX-PX-DX-DW-EX2xx-EW SERIES (even-parity)	38400	5 4
TOSHIBA	ALL MODEL	9600	5 5
TOSHIBA	SP MODEL	9600	5 6
VIEWSONIC	PJL6243	19200	5 1
VIEWSONIC	PJL9371	19200	1 1
VIEWSONIC	558 SERIES	19200	5 7
VIEWSONIC	PRO8500	19200	5 8
VIEWSONIC	PRO9500	19200	1 1
VIEWSONIC	559 SERIES	19200	6 1
VIEWSONIC	PRO8300	19200	6 2
VIVITEK	D5180 / 5185	115200	6 3
VIVITEK	D85x / D86x / D87x series	9600	6 4
VIVITEK	D5 SERIES / H SERIES	9600	4 5

Programmable Code for user to assigned using RS232 connection

MIC-807 allow any projector brand/model not listed above to be programmed

8 1 to 8 8

End