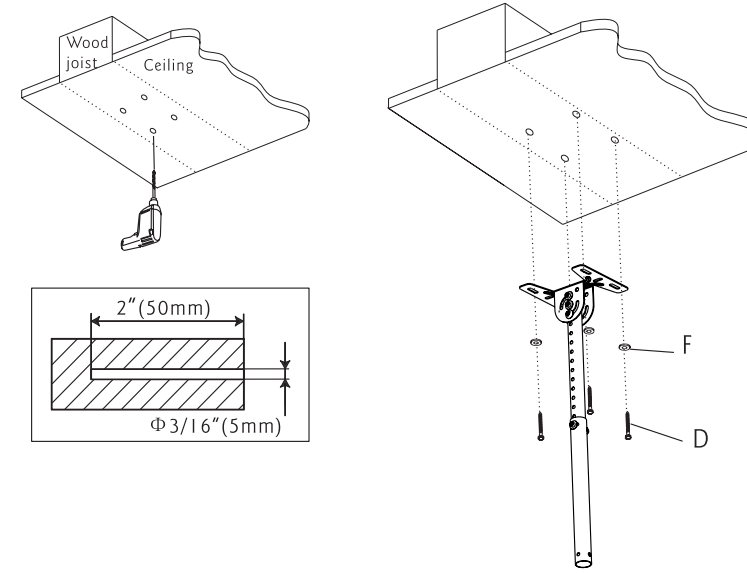
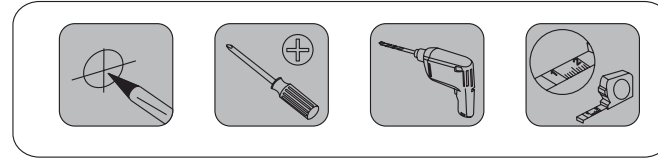
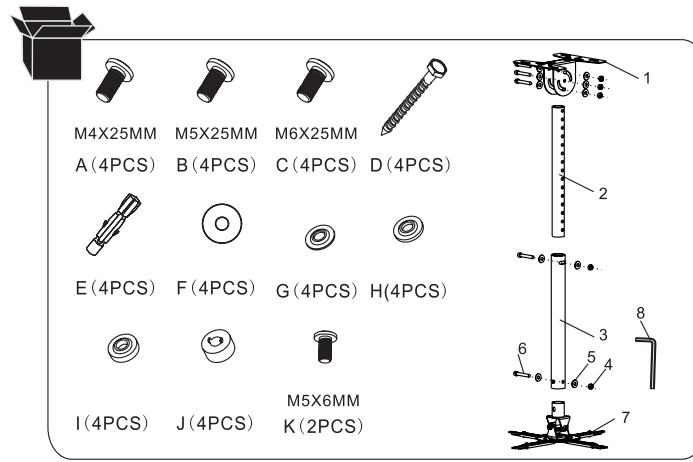


Item No.:PSB-62A

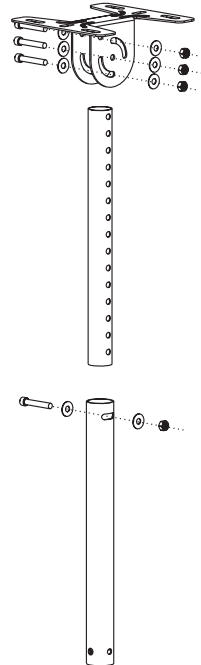
Installation guide



STEP2-B

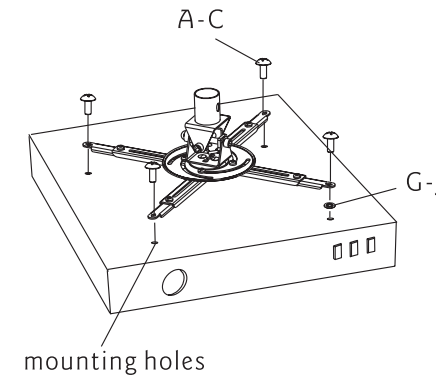
EN Wood Stud Mounting

STEP1



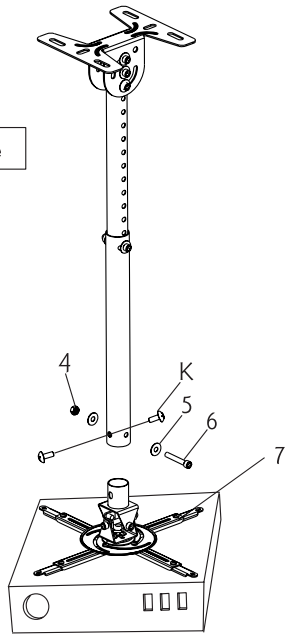
STEP3

EN Attaching Brackets To Screen



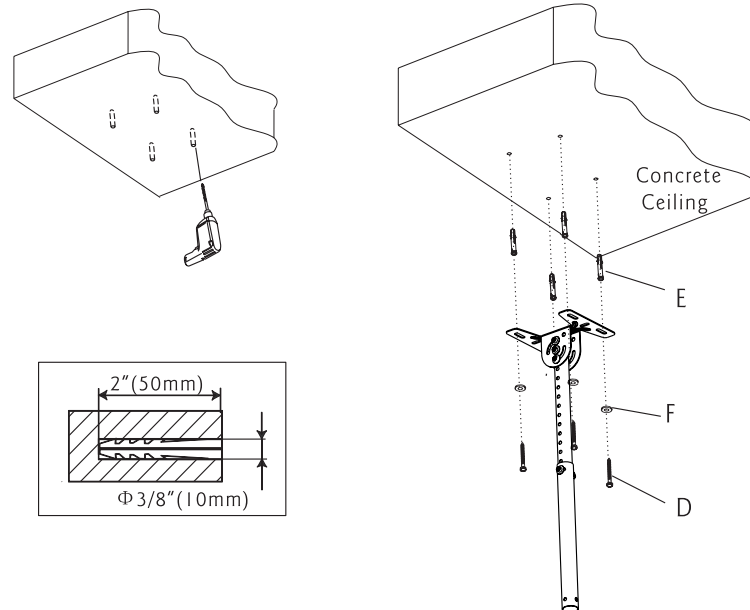
STEP4

EN Hang the TV onto the wall plate



STEP2-A

EN Solid concrete mounting



CAUTION

- This product contains small items that could be a choking hazard if swallowed. Keep these items away from young children.
- Make Sure these instructions are read and completely understood before attempting installation. If you are unsure of any part of this installation, please contact a professional installer for assistance.
- The wall or mounting surface must be capable of supporting the combined weight of the mount and the display, otherwise the structure must be reinforced.
- Safety gear and proper tools must be used. A minimum of two people are required for this installation. Failure to use safety gear can result in property damage, serious injury or death.
- Please check joint parts every two months, making sure the screws are loosened or not.

This product was designed to be installed on wood stud walls and solid concrete walls. Before installing, make sure the wall will support the combined load of the equipment and hardware. Never exceed the maximum load capacity 8 KG, or else it may result in product failure or personal injury.

Note: this product is intended for indoor use only. Use of this product outdoors could lead to product failure or personal injury.